

AXOR Citterio E

3-hole basin mixer for concealed installation wall-mounted with spout 220 mm and plate

Surfaces: **Chrome** Article Number: **36115000**



Description

product features

- consists of: 3-hole basin mixer for concealed installation wall-mounted, waste set
- projection 220 mm
- laminar spray
- flow rate at 3 bar: 5 l/min
- ceramic valves hot/ cold 180°
- suitable for continuous flow water heaters
- non-closing waste set
- connection dimension: DN15

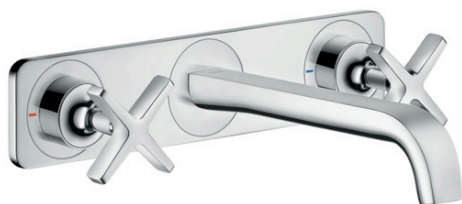
Technology



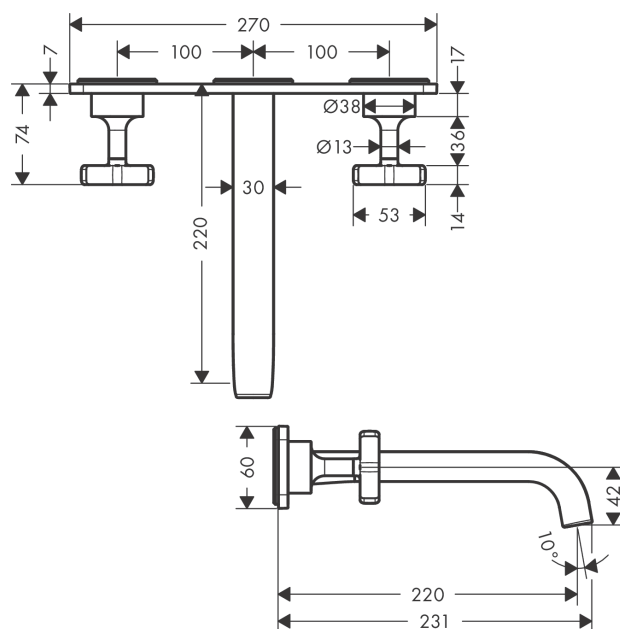
Design awards



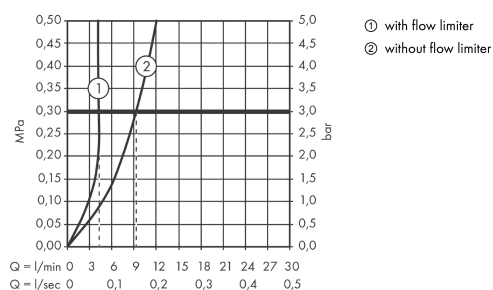
Product image



Scale drawing



Flowchart



AXOR Citterio E

3-hole basin mixer for concealed installation wall-mounted with spout 220 mm and plate

Surfaces: **Chrome** Article Number: **36115000**



Installation examples

